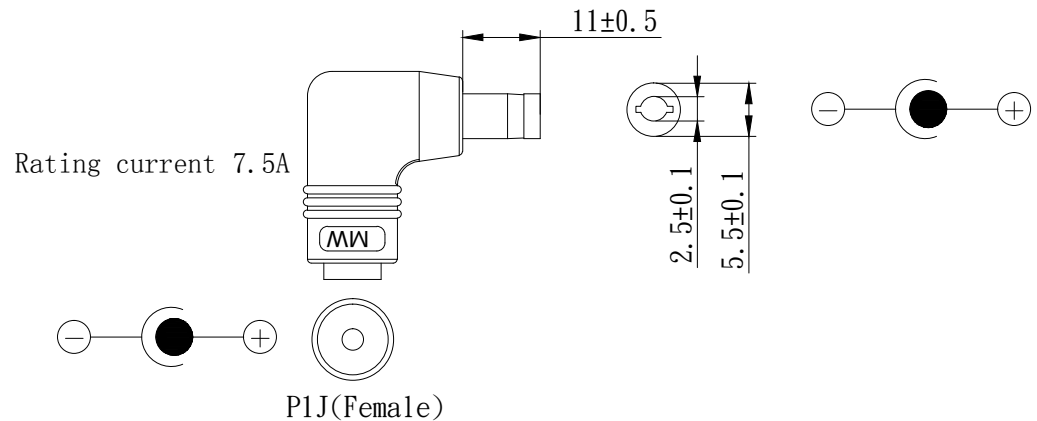


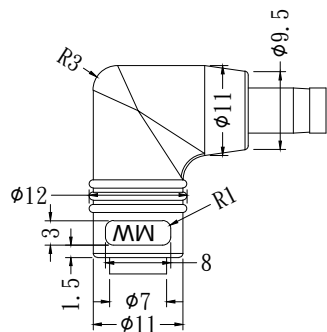
MW Order No. :DC PLUG-P1J-P1MR



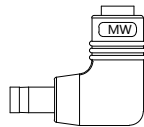

OC04WE0001

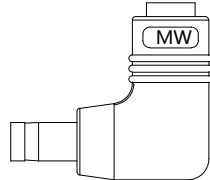
OEM | Serial number
 | Internal code
 | month
 | year

0:OEM
 C0:2020 (A:0, B:1, C:2)
 4:April(A:10, B:11, C:12)
 WE:Internal code
 0001:Serial number



Remark:
 1. 30pcs per packing

PACKAGING BAG	
MW' s Order NO.	DC PLUG-P1J-P1MR
Specification	Straight P1J (2.1*5.5*11mm) → Right-angled P1MR(2.5*5.5*11mm) 
Quantity	1 pc
Bar code	 OC04WE0001




明緯企業股份有限公司
 MEAN WELL ENTERPRISES CO., LTD.

ITEM DC PLUG CONVERTER